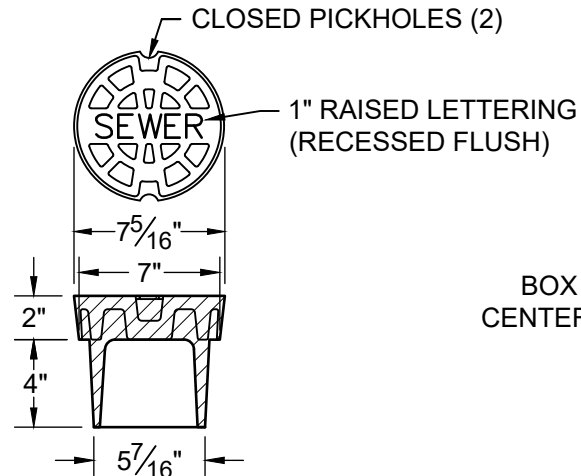
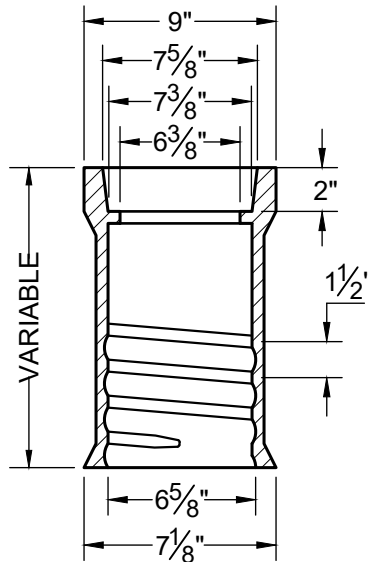


BOTTOM SECTION



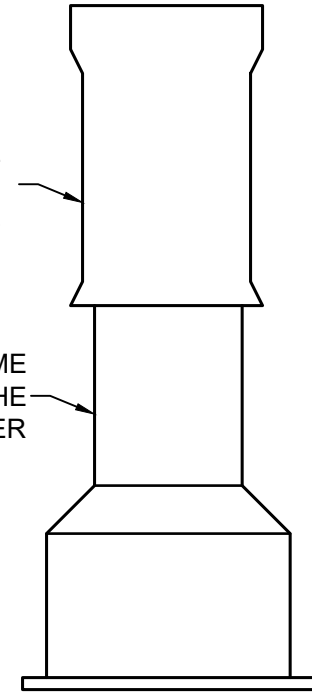
LID



TOP SECTION

BOX SHALL BE  
CENTERED OVER  
VALVE

ALL PARTS SHALL BE OF THE SAME  
MATERIAL AND SUPPLIED BY THE  
SAME MANUFACTURER



COMPLETE BOX

NOTES:

1. VALVE BOX COVER SHALL WEIGH A MINIMUM 24 lbs.
2. ENTIRE VALVE BOX ASSEMBLY & COVER SHALL BE CAST FROM CLASS 35 GRAY IRON.
3. ASSEMBLY SHALL BE DOMESTICALLY MADE AND MANUFACTURED IN THE U.S.A.



# SEWER VALVE BOX

EFFECTIVE  
05/2023

DETAIL NO.  
316