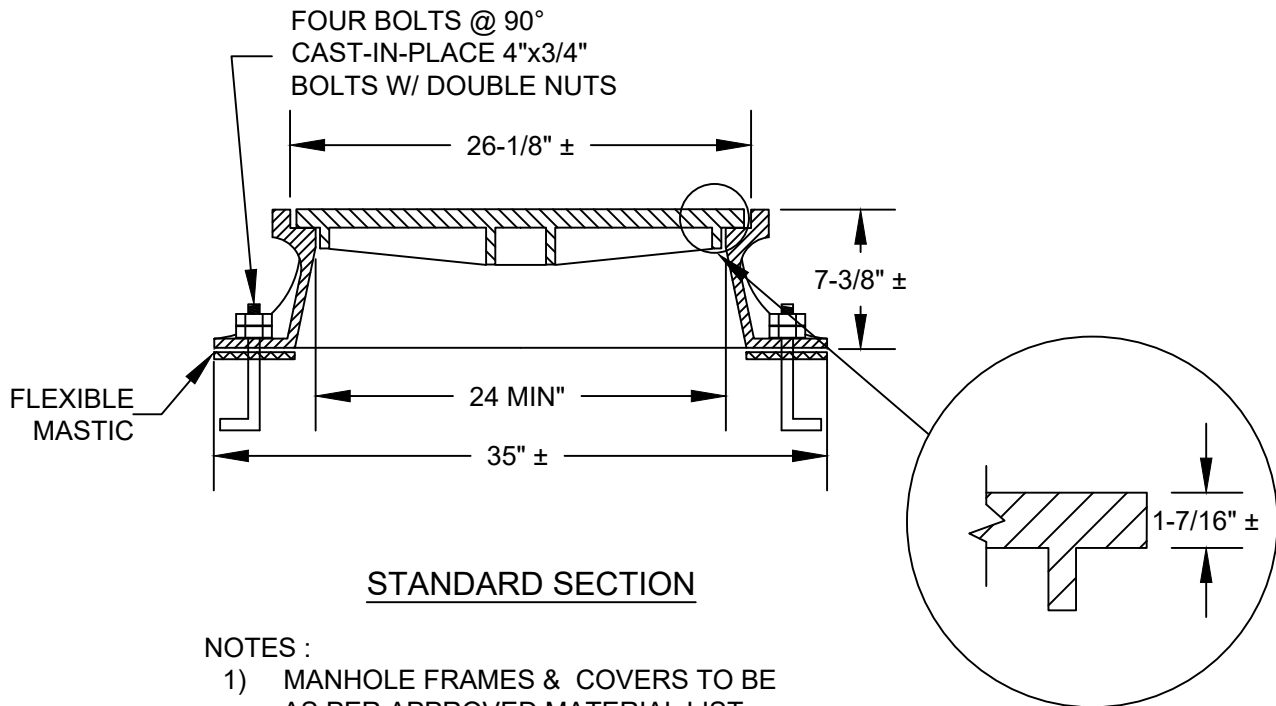


PLAN



NOTES :

- 1) MANHOLE FRAMES & COVERS TO BE AS PER APPROVED MATERIAL LIST. OTHER FRAMES & COVERS MAY BE ACCEPTABLE AS LONG AS THEY SUBSTANTIALLY MEET THE SPECIFICATIONS.
- 2) NO MANHOLE FRAMES & COVERS WILL BE ACCEPTED THAT HAVE LESS THAN 24" CLEAR OPENING.



SEWER MANHOLE STANDARD FRAME & COVER

EFFECTIVE
07/2024

DETAIL NO.
307