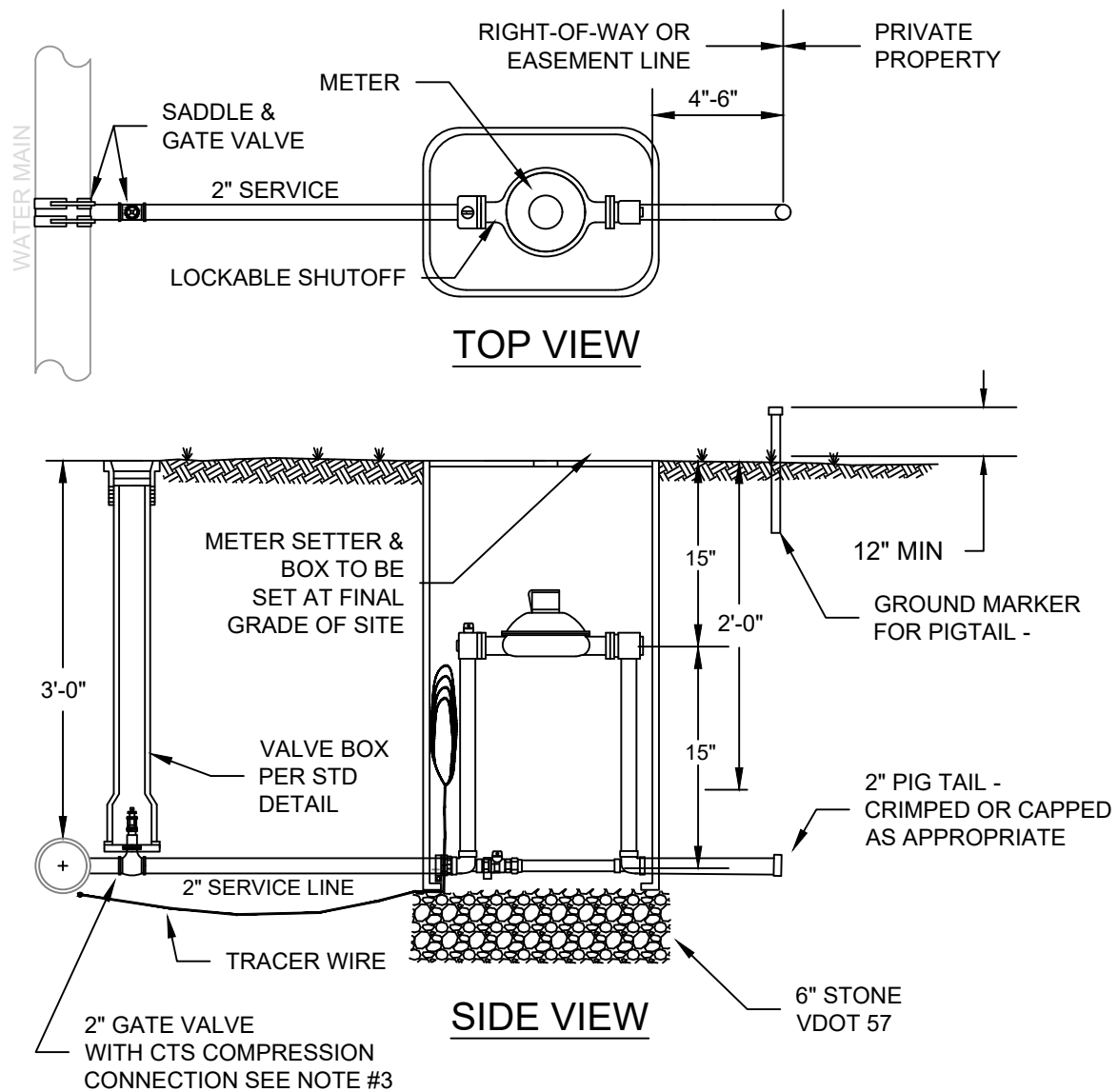


1. SETTERS FOR BOTH 1-1/2" AND 2" METERS TO BE 2" SETTERS. 1-1/2" METERS ARE TO BE SET WITH REDUCING ADAPTERS IN THE SETTER TO MAKE UP THE DIFFERENCE IN LENGTH. SETTERS TO BE PER PSA APPROVED MATERIALS LIST.
2. SADDLES MUST BE USED WITH ALL MAINS. SERVICE SADDLES SHALL BE USED IN ACCORDANCE WITH WATER DISTRIBUTION PIPING SPECIFICATION & APPROVED MATERIALS LIST..
3. CORPORATION STOP SHALL BE PER APPROVED MATERIALS LIST.
4. METER BOX SHALL BE PER APPROVED MATERIALS LIST WITH LID SET TO RECEIVE RADIO READ HEAD.
5. SERVICE LINE SHALL BE COPPER TUBE SIZE POLYETHYLENE (PE) 4710, SODR-9 (200 psi), OR "K" TYPE COPPER. SERVICE LINE SHALL BE 2" FOR BOTH 1-1/2" AND 2" METERS.
6. METERS SHALL BE SENSUS T2 OR C2 AS SPECIFIED BY PSA.
7. METERS SHALL BE SUPPLIED BY CONTRACTOR ON PSA FUNDED PROJECT. FOR DEVELOPER FUNDED PROJECTS, PSA SHALL SUPPLY METER AT TIME OF CONNECTION UPON PAYMENT OF CONNECTION FEES UNLESS OTHER ARRANGEMENTS HAVE BEEN MADE.
8. THIS CONFIGURATION IS TO BE USED WHEN THE WATER PRESSURE AT THE WATER MAIN IS BELOW 200 PSI. WHEN ABOVE 200 PSI, PROVIDE PRV IN BOX ON PSA SIDE OF METER BOX.
9. METER BOX SHALL NOT BE PLACED IN AREAS SUBJECT TO VEHICULAR TRAFFIC. IF TRAFFIC BEARING BOX IS REQUIRED, DESIGN ENGINEER SHALL CONSULT WITH THE PSA TO DETERMINE SITE SPECIFIC REQUIREMENTS.
10. WHENEVER SIDEWALK EXISTS OR IS PROPOSED, MODIFY METER LOCATION AS DIRECTED BY PSA.



# WATER SERVICE 1-1/2" & 2" LESS THAN 120 PSI

EFFECTIVE  
05/2023

DETAIL NO.  
203